

Customer:

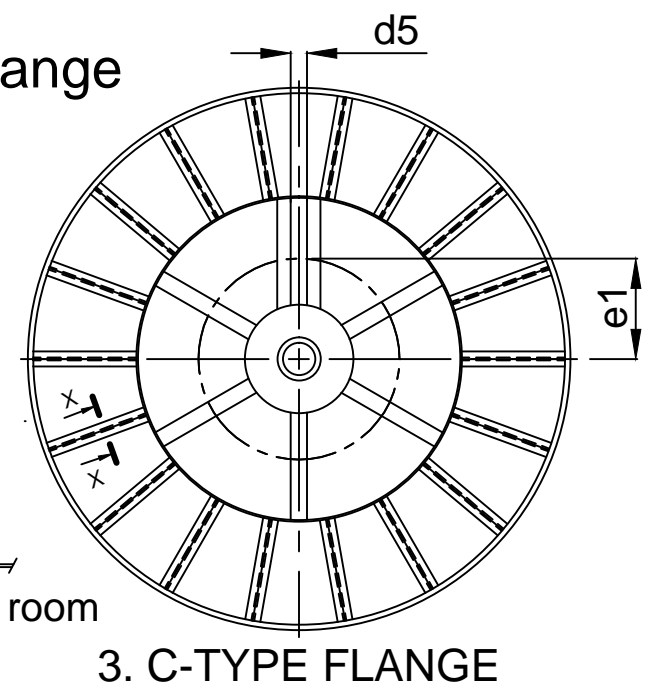
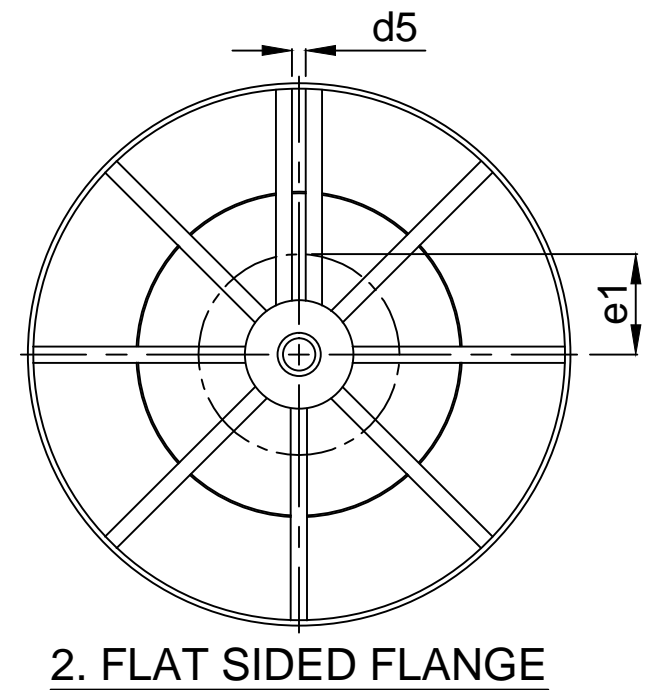
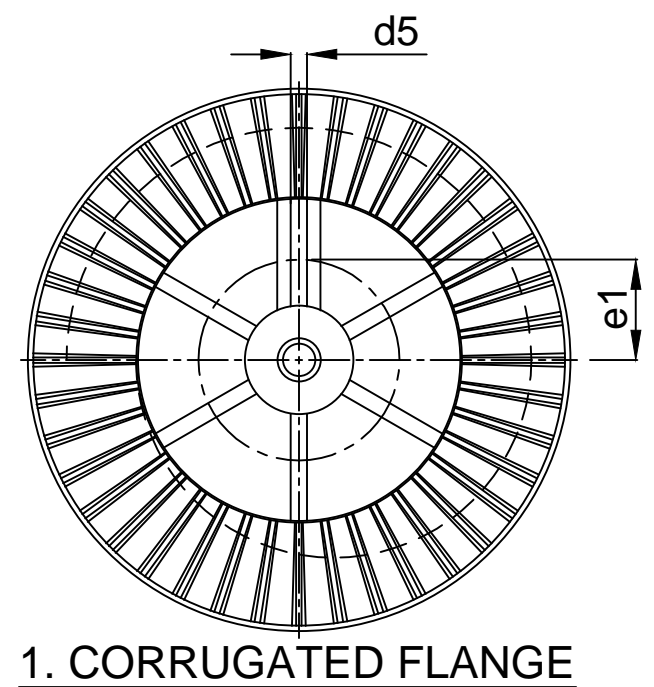
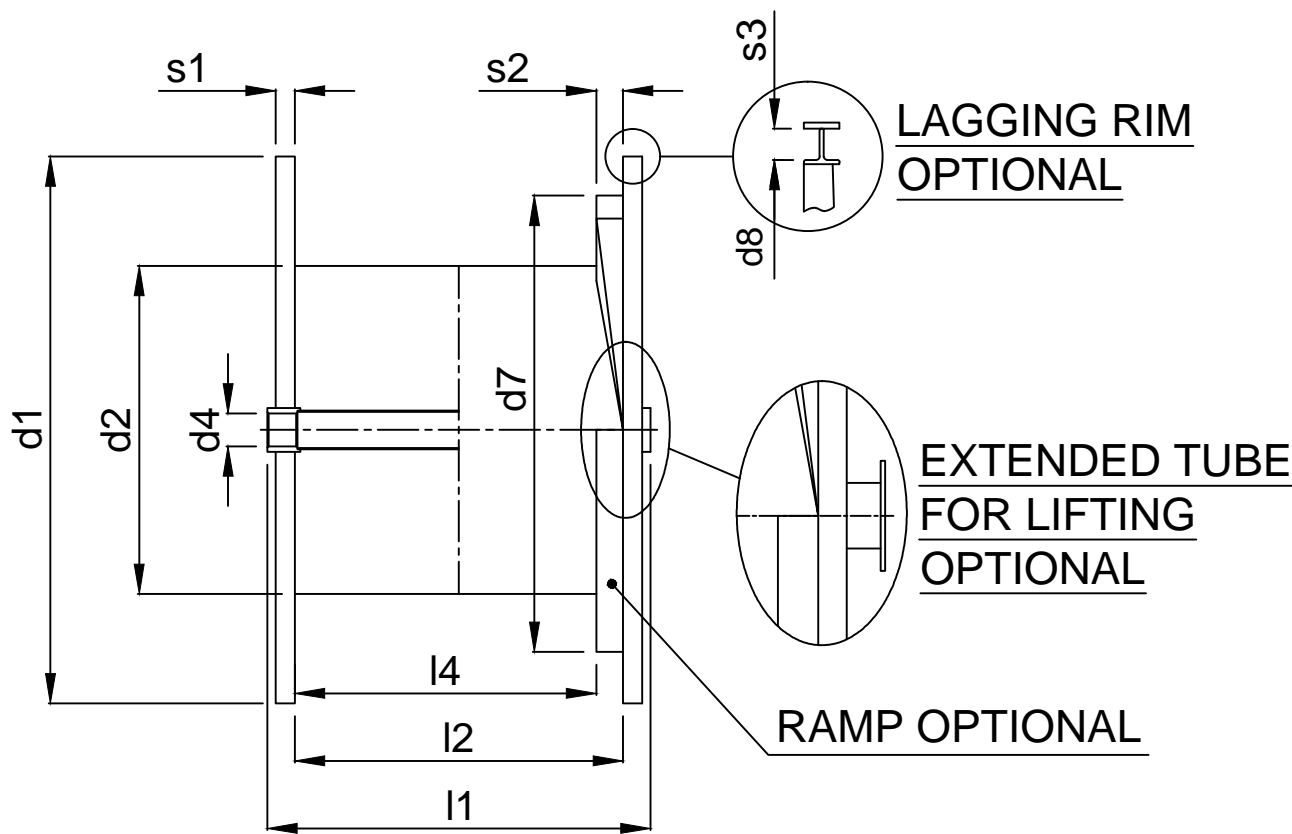
Contact:

Tel.:

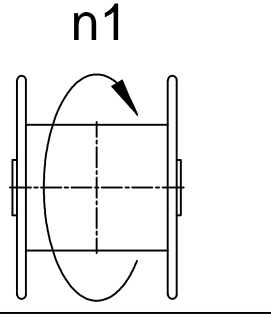
Email:

www.pentregroup.com

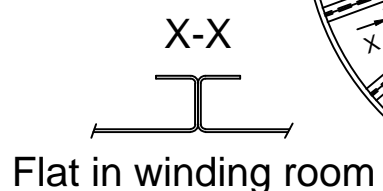
SHIPPING DRUM - CORRUGATED / FLAT SIDED / C-TYPE



Quantity	_____	pcs.
max. Load	_____	Kg
Flange Type	_____	
min. Cable Diameter	_____	mm
max. Line/Cable Tension	_____	Kg or N
Rotation Speed n1	_____	RPM
Flange diameter d1	_____	mm
Barrel diameter d2	_____	mm
Bore diameter d4	_____	mm
Drive Hole diameter d5	_____	mm
Drive radius e1	_____	mm
Ramp diameter d7	_____	mm
Effective Flange dia. d8	_____	mm
Overall width l1	_____	mm
Traverse l2	_____	mm
Effective Traverse l4	_____	mm
Rim width s1	_____	mm
Ramp width s2	_____	mm
Lagging gap height s3	_____	mm



No. of pcs. per flange _____



Surface Treatment (painted, galvanized, other, etc.):

Additional specifications (cable entry slots, tie holes, etc.):

Pentre to determine drum design type based on information provided