



Customer:

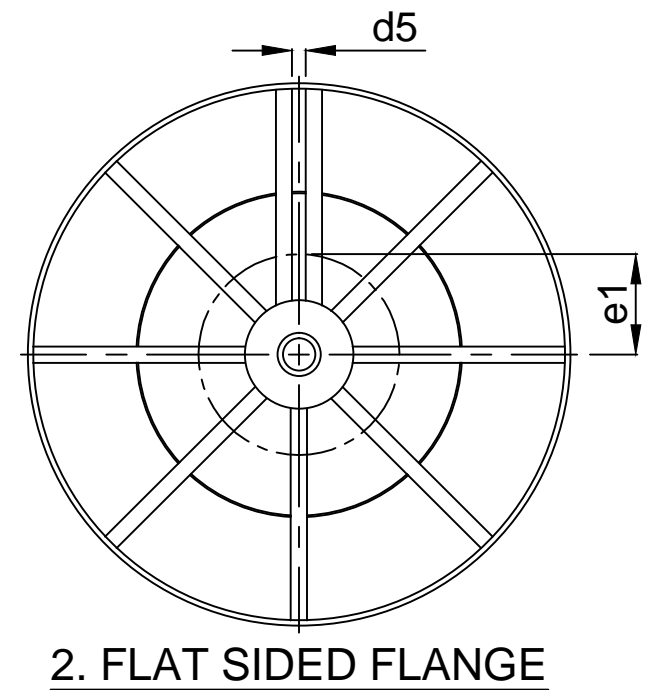
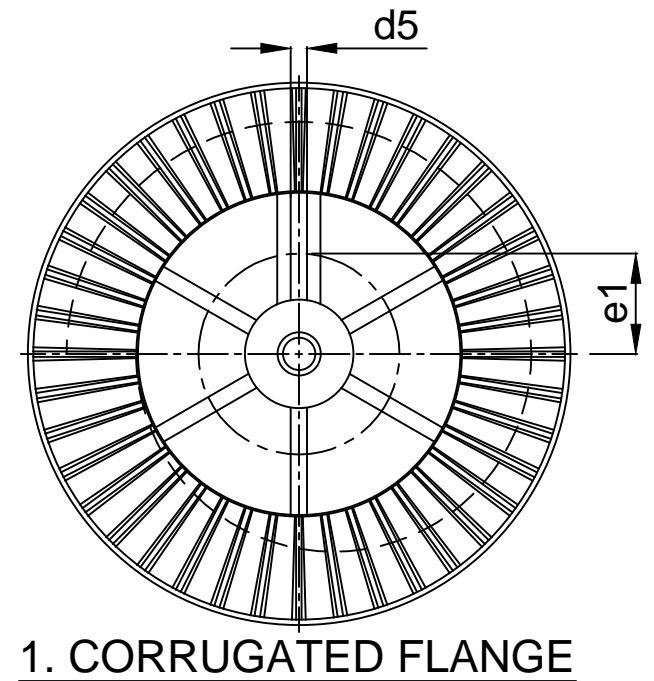
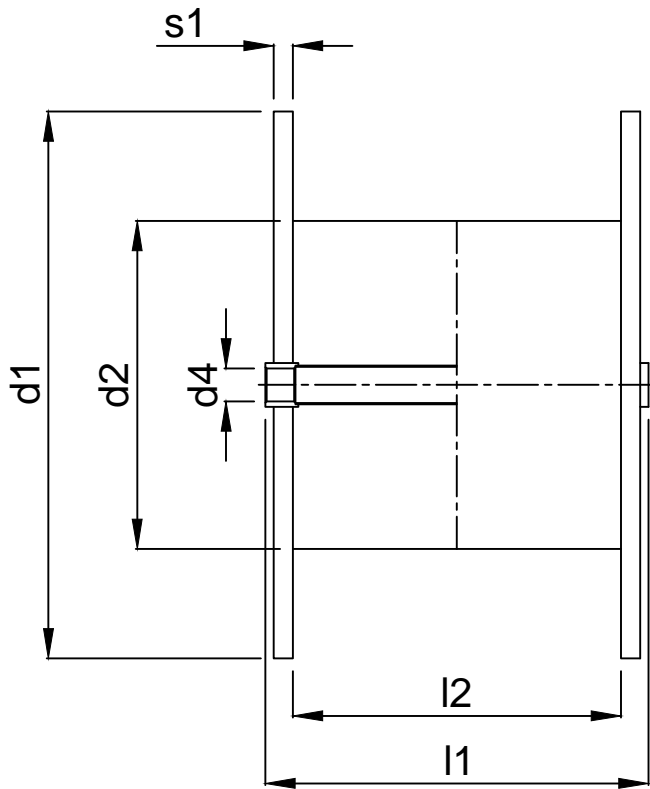
Contact:

Tel.:

Email:

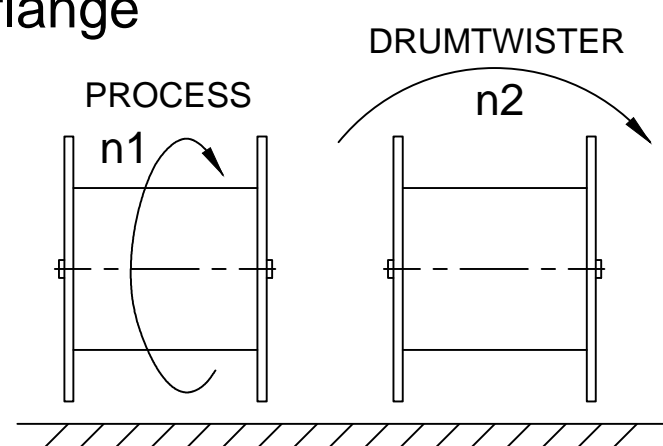
www.pentregroup.com

PROCESS DRUM (DRUMTWISTER) - CORRUGATED / FLAT SIDED



- Quantity _____ pcs.
- max. Load _____ Kg
- Flange Type _____
- min. Cable Diameter _____ mm
- max. Line/Cable Tension _____ Kg or N
- Rotation Speed n1 _____ RPM
- Rotation Speed n2 _____ RPM
- Flange diameter d1 _____ mm
- Barrel diameter d2 _____ mm
- Bore diameter d4 _____ mm
- Drive Hole diameter d5 _____ mm
- Drive radius e1 _____ mm
- Overall width l1 _____ mm
- Traverse l2 _____ mm
- Rim width s1 _____ mm

No. of pcs. per flange



Surface Treatment (painted, galvanized, other, etc.):

Additional specifications (cable entry slots, tie holes, etc.):

Pentre to determine drum design type based on information provided